



315W

SE FIXTURE

CMH

VOLTAGE:

120V/240V

277V

347V

SKU:

IL-CMH315-120

IL-CMH315-277

IL-CMH315-347



Random Start Technology



Energy Efficient



Cleaner Light for Max Yields



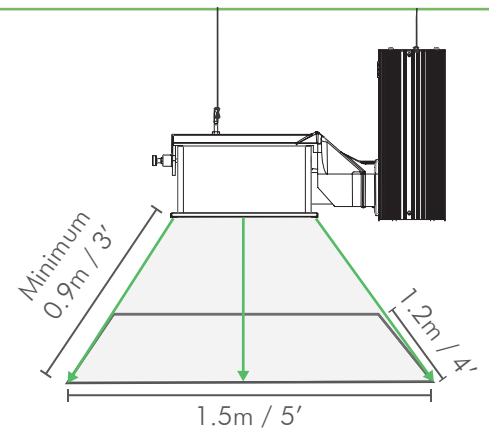
Less Heat Reduced Cooling Costs



TECHNICAL SPECS

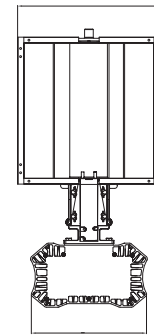
	120V	240V	277V	347V
Input Current	2.89A	1.43A	1.30A	0.99A
Input Power	343W	343W	343W	343W
Rated Voltage +/- 10%	120V	240V	277V	347V
Voltage Range	108-264V		249-290V	312-382V
Frequency	50-60Hz			
THD	<15%			
Dimmable	0-10V Controllable			
Min Power Factor	.95			
Crest Factor	<1.7			
Input Connection	IP67 Wieland Plug			
BTU Output	1,400 btu			
Relative Humidity	95% (Non-condensing)			
Operation Temp.	0 - 35°C / 32-95°F			
Recommended Lamp	ILUMINAR 315W CMH			
Minimum Mounting Height	0.9m / 3'			
Weight	6.5kg / 14.33lbs			
Standalone Coverage	5' x 4' / 1.5m x 1.2m			
Fixture Width	298.9mm / 11.77"			
Fixture Height	514.9mm / 20.28"			
Ballast Width	7213mm / 8.38"			
Ballast Height	118.6mm / 4.68"			

MOUNTING & COVERAGE

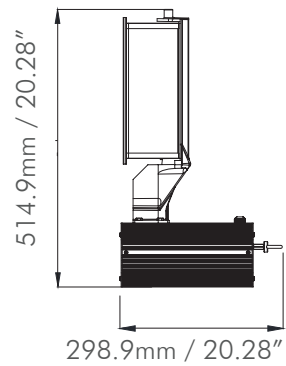


DIMENSIONS

248.9mm / 9.80"



213mm / 8.38"



298.9mm / 20.28"

Recommended to use with ILUMINAR Lighting Touch+ or ILUMINAR Lighting HASH Controller.
Lamp Not Included.



iluminarlighting.com
Toll Free: 1-877-540-5588

3 YEAR
WARRANTY

© Copyright 2022 ILUMINAR Lighting
Subject to change without notice.