



ILUMINAR® 1000W

DE FIXTURE

CMH

VOLTAGE:

208-277V

SKU:

IL-CMHDE1000-240

- ◀ Energy efficient
- ◀ Uniform Light Distribution
- ◀ Soft Start Technology
- ◀ Ignition Failure Protection



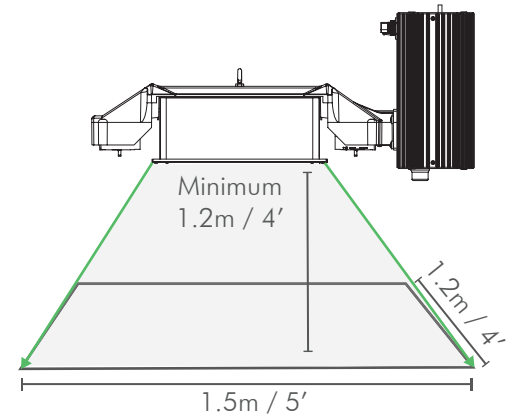
TECHNICAL SPECS	208V	240V	270V
Input Current	5.10A	4.60A	3.85A
Input Power	1045W		
Rated Voltage	208-277V		
Voltage Range	187-290V		
Ignition Voltage	5KV		
THD	<15%		
Min Power Factor	0.95		
Crest Factor	1.7		
Input Connection	IP67 Wieland Plug		
Frequency	50-60HZ		
Operation frequency	140-220HZ		
Relative Humidity	95% (Non-condensing)		
Operation Temp	0 - 35°C / 32-95°F		
Recommended Lamp	ILUMINAR CMH 1000W DE		
Socket Type Lamp Base	K12x30s - / Style		
Minimum Mounting Height	1.2m / 4'		

Lamp Not Included.

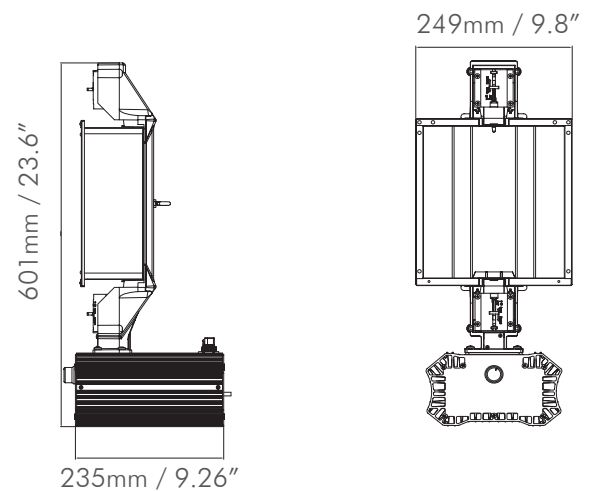
PHYSICAL SPECIFICATIONS

Case Length	564mm	22.22"
Case Width	249mm	9.80"
Height	601mm	23.66"
Weight	6.6kg	14.55lb

MOUNTING & COVERAGE



DIMENSIONS



iluminarlighting.com
Toll Free: 1-877-540-5588

3 YEAR
WARRANTY

© Copyright 2022 ILUMINAR Lighting
Subject to change without notice.