



CMH

630W

DE FIXTURE

VOLTAGE:

SKU:

120V/240V

IL-CMHDE630-120

277V

IL-CMHDE630-277

347V

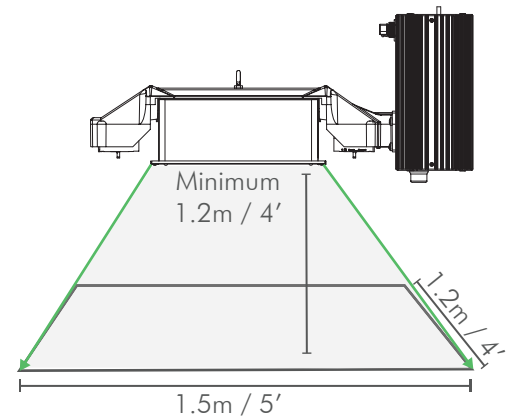
IL-CMHDE630-347

- ◀ Energy efficient
- ◀ Uniform Light Distribution
- ◀ Soft Start Technology
- ◀ Ignition Failure Protection

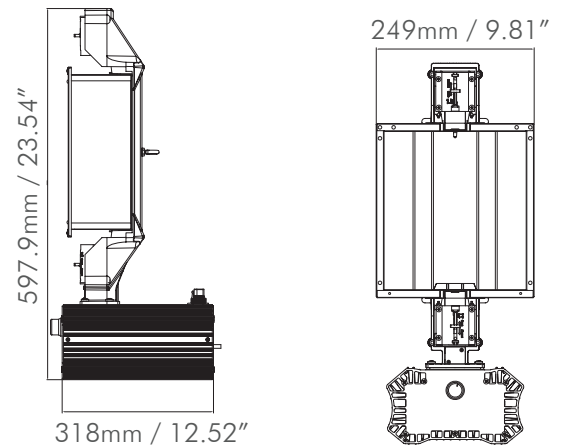


TECHNICAL SPECS	120V	240V	277V	347V
Input Current	5.56A	2.79A	2.4A	1.92A
Input Power	675W	665W	665W	665W
Rated Voltage	120V	240V	277V	347V
Voltage Range	108-264V		249-305V	312-382V
Operation Frequency	140-220Hz			
Frequency	50 - 60Hz			
THD	<15%			
Dimmable	0-10V Controllable			
Min Power Factor	0.95			
Crest Factor	<1.7			
Input Connection	IP67 Wieland Plug			
BTU Output	2,770 btu			
Relative Humidity	95% (Non-condensing)			
Operation Temp.	0 - 35°C / 32-95°F			
Socket Type	K12x30s - / Style			
Minimum Mounting Height	1.2m / 4'			

MOUNTING & COVERAGE



DIMENSIONS



Recommended to use with ILUMINAR Lighting Touch+ or HASH Controller. Lamp Not Included.

PHYSICAL SPECIFICATIONS

	120/240V	277V/347V
Case Length	318mm / 12.52"	318mm / 12.52"
Case Width	213mm / 8.39"	249.2mm / 9.81"
Height	597.9mm / 23.54"	597.9mm / 23.54"
Weight	6.6kg / 14.55lb	6.7kg / 14.77lb



iluminarlighting.com
Toll Free: 1-877-540-5588

3YEAR
WARRANTY

© Copyright 2022 ILUMINAR Lighting
Subject to change without notice.



630W

DE FIXTURE

PPFD MAP

4x4

Legend



ft	-1.75	-1.25	-0.75	-0.25	0.25	0.75	1.25	1.75
1.75	467	738	1427	2311	2341	1489	772	478
1.25	489	685	1112	1620	1629	1158	738	512
0.75	336	470	697	894	901	725	504	354
0.25	186	269	416	543	552	432	288	196
-0.25	178	258	405	548	564	440	287	189
-0.75	332	487	784	1063	1077	829	539	352
-1.25	531	765	1214	1716	1727	1245	787	540
-1.75	501	760	1393	2227	2246	1441	772	496

Clearance | 1 ft / 12"
Average PPFD | 819.09 $\mu\text{mol/s/m}^2$
Max PPFD | 2341 $\mu\text{mol/s/m}^2$
Min PPFD | 178 $\mu\text{mol/s/m}^2$
Median PPFD | 624.5 $\mu\text{mol/s/m}^2$
Min/Average | 21.73 %

ft	-1.75	-1.25	-0.75	-0.25	0.25	0.75	1.25	1.75
1.75	637	707	850	945	947	862	731	654
1.25	696	764	887	964	965	895	775	705
0.75	736	792	893	959	955	892	797	739
0.25	784	817	869	908	892	844	804	780
-0.25	807	829	860	883	875	848	826	808
-0.75	763	798	871	920	922	878	814	772
-1.25	693	750	862	934	934	869	764	702
-1.75	629	692	825	910	906	827	712	644

Clearance | 2 ft / 24"
Average PPFD | 821.44 $\mu\text{mol/s/m}^2$
Max PPFD | 965 $\mu\text{mol/s/m}^2$
Min PPFD | 629 $\mu\text{mol/s/m}^2$
Median PPFD | 826.5 $\mu\text{mol/s/m}^2$
Min/Average | 76.57 %

ft	-1.75	-1.25	-0.75	-0.25	0.25	0.75	1.25	1.75
1.75	784	807	834	844	844	838	811	787
1.25	819	845	871	883	882	872	847	819
0.75	825	847	866	874	878	872	851	827
0.25	807	841	871	880	882	872	843	809
-0.25	776	814	851	863	860	843	807	775
-0.75	765	793	820	825	821	812	787	765
-1.25	758	784	811	816	809	798	775	757
-1.75	759	783	809	816	813	803	778	759

Clearance | 3 ft / 36"
Average PPFD | 822.45 $\mu\text{mol/s/m}^2$
Max PPFD | 883 $\mu\text{mol/s/m}^2$
Min PPFD | 757 $\mu\text{mol/s/m}^2$
Median PPFD | 819 $\mu\text{mol/s/m}^2$
Min/Average | 92.04 %

ft	-1.75	-1.25	-0.75	-0.25	0.25	0.75	1.25	1.75
1.75	766	775	782	782	778	776	773	769
1.25	793	802	810	808	805	803	800	796
0.75	806	816	824	822	819	817	812	810
0.25	812	818	824	822	821	824	821	818
-0.25	816	824	828	824	823	827	829	823
-0.75	798	809	818	816	812	811	806	802
-1.25	770	783	795	793	786	781	773	770
-1.75	761	772	780	778	773	768	763	762

Clearance | 4 ft / 48"
Average PPFD | 799.66 $\mu\text{mol/s/m}^2$
Max PPFD | 829 $\mu\text{mol/s/m}^2$
Min PPFD | 761 $\mu\text{mol/s/m}^2$
Median PPFD | 805.5 $\mu\text{mol/s/m}^2$
Min/Average | 95.17 %