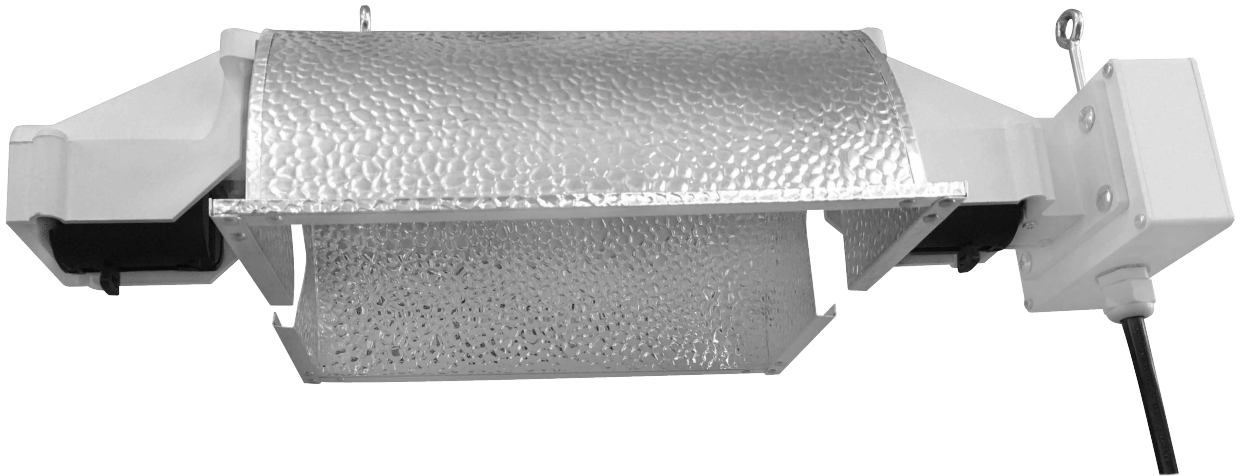




Horizontal DE

Professional Grade Lighting System



USER MANUAL

HORIZONTAL DE REFLECTOR



IL-HLDE

1-877-540-5588
iluminarlighting.com
sales@iluminarlighting.com



THANK YOU for purchasing an ILUMINAR Lighting Horizontal DE Reflector. We strive to deliver the best customer service alongside world-class products and we go above and beyond to make sure you are satisfied with your purchase. The following is a general set of warnings and basic guidelines for the ILUMINAR Horizontal DE Reflector. Always have an expert install your product(s).

KEEP ORIGINAL PACKAGING

In the event of a return, products will need to be in the original ILUMINAR Lighting packaging to avoid product damage during shipping. Any damage to products not in the original packaging will not be covered under the Warranty. Visit iluminarlighting.com/warranty for more detailed information.

SAFETY 1ST

- ❗ **FAILURE TO OBSERVE THE FOLLOWING WARNINGS COULD RESULT IN ELECTRIC SHOCK AND/OR SERIOUS INJURY.** Additionally, failure to follow these safety warnings can/will result in a void of all warranties as well as any manufacturer liability.

Please read carefully prior to beginning installation.

WARNINGS

- ❗ Ensure that all power is completely disconnected from ballast and reflector prior to installation.
- ❗ Ensure that all installations maintain a base minimum of 6" (15cm) from all obstructions.
- ❗ Ensure the hanging assembly is fully seated into the hanging connector, do not hang or lift fixture by the lamp power cord.
- ❗ The ILUMINAR Lighting Horizontal DE is a remote reflector. It can only be used when connected to a ballast. The product can be used to drive a double ended HPS, MH, or CMH lamp from 315-1000W and 120-347V.
- ❗ Use only matching ballast and lamp combinations that do not exceed 1000W for High Pressure Sodium lamps, Metal Halide, or LEC applications.
- ❗ Secure all lamp cords to your hanging rail or ceiling above to ensure that they do not come in contact with the fixture in any way.
- ❗ Do not use any lamps that require UV filtering.
- ❗ For Metal Halide or LEC lamps use Type-O configurations only.
- ❗ All installations should be done by a certified/registered/insured electrician.
- ❗ Disconnect all power to fixture when working on the fixture, lamping, or re-lamping.
- ❗ Fixture is not intended for wet-use locations, protect fixture from all liquids to avoid damage of electric shock.
- ❗ Ensure that all electrical connections adhere to the National Electrical Code and local building codes.
- ❗ The use of any other manufacturers accessories that are not recommended by ILUMINAR Lighting may cause safety concerns.
- ❗ Do not exceed maximum fixture voltage rating of 347V or maximum wattage rating of 1000W.
- ❗ Do not look directly into ignited lamp as this can result in permanent eye damage. Always wear protective eyewear when lamping or re-lamping.



315-1000W

Horizontal DE

VOLTAGE: 120-347V

SKU: IL-HLDE

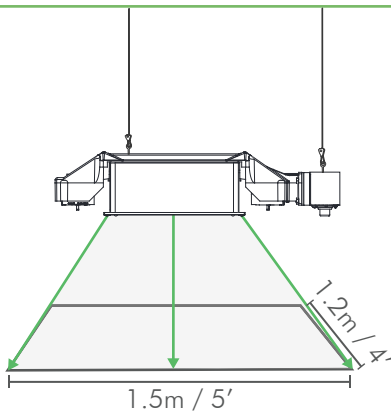
Professional Grade Lighting System

ELECTRICAL PARAMETERS

Wattage Range	315-1000W
Voltage Range	120-347V
Maximum Pulse Rating	5MV
Maximum Operating Temperature	35°C / 95°F



STANDALONE COVERAGE



COMPATIBLE WITH:

- ▶ DE HPS Lamps
- ▶ DE MH Lamps
- ▶ DE CMH Lamps
- ▶ CMH Remote Ballast
- ▶ HPS Remote Ballast

MAXIMUM UNIFORMITY

Due to the high quality German materials and design of the ILUMINAR Lighting Deep reflector you are guaranteed the highest levels and uniformity for your garden. Swap with the ILUMINAR Lighting Wide reflector for lower clearance grow rooms.

RUGGED DESIGN

Made of a coated, die-cast aluminum the reflector bracket is stable and durable, made for a life-long of trouble-free use.

PHYSICAL SPECIFICATIONS

Length	520mm	20.47"
Width	245mm	9.64"
Height	140mm	5.51"
Weight	2.4kg	5.29lbs

REPLACEABLE REFLECTOR

All our reflectors are easy to replace, guaranteeing optimal performance of your equipment and prolonging the life of our investment. Due to grow room conditions, we recommend replacing your reflector every year. Do not attempt to clean the reflector, as the process of cleaning will damage the reflectivity of the reflector.

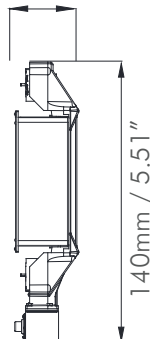
ROLL LOCK TECHNOLOGY

Includes the ILUMINAR Lighting proprietary single-handed "roll lock" socket for our fixtures - that means simple, one-handed lamp installation. No more dropped bulbs!

245mm / 9.64"



140mm / 5.51"



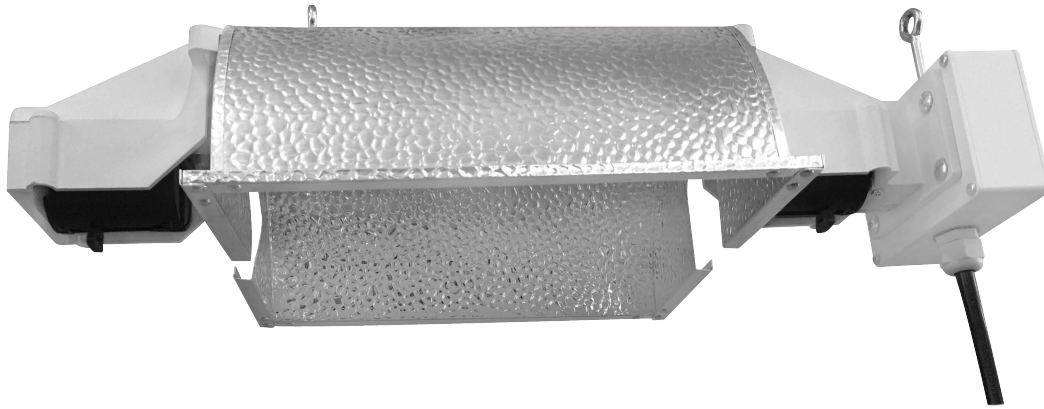
Lamp Cord : ST 3/C 16AWG 105°C VW-1 600V

1 YEAR WARRANTY



IN THE BOX

- 1 Inner frame chassis with built in DE Roll Lock Sockets
- 1 Reflector
- 2 Eye Hooks
- 1 15' industry standard lamp cord (attached)



LAMP DESIGNATION

ANSI CODE

400W HPS	S51
600W HPS	S106
750W HPS	S111
1000W HPS	S52
400W MH	M59/O
600W MH	M57/O
1000W MH	M47/O
315W LEC	C182/O
630W LEC	C182/O
945W LEC	C182/O

***Do not use lamps that require UV filtering.**

INSTALLATION PROCEDURE

Please read this manual thoroughly prior to installing or operating the fixture.

- Observe all safety precautions, seek the services of a qualified/certified/licensed/insured electrician, or call ILUMINAR Lighting technicians for assistance.
- DO NOT handle or touch the fixture while in use.
- Connect the fixture only to the power sources of the appropriate voltage using the correct AC plug type. Protect power cables from being pinched, walked on, or otherwise damaged. Be especially careful where the power cable enters the power outlet to the unit. Only connect the fixture to an electrical outlet or extension cord of comparable standard and level rating. Connect the fixture **ONLY** to the power sources of the correct voltage using the plug received.
- The fixture should only be cleaned as directed. Always seek service for your system by qualified service personnel if any of the following occur:
 1. The fixture shows a noticeable change in performance.
 2. The power-supply cord or plug is damaged.
 3. The fixture has been dropped, or the exterior is damaged.

Check the electrical panel to ensure proper voltage is available for the number of fixtures installed. Panels should only support a total amperage of 80% of its capacity, i.e. 100-amp panel should never exceed 80 amps.

LAMP INSTALLATION

1. Slide the Roll Lock Sockets knobs to the open position - pulled to outer edges of the fixture. Roll Lock Instructions and diagram on pages 6-7.
2. Insert an ILUMINAR Lighting lamp into the Roll Lock Sockets and rotate the lamp 90° until seated. **DO NOT BEND WIRE LEADS.**
3. Lock the Roll Lock Socket knobs by sliding them to the closed position (toward the center of the fixture) until snug.

REFLECTOR INSTALLATION

1. If lamp is present, remove lamp from fixture (always wear protective gloves).
2. Release reflector by pulling the reflector pin located on the far side of the reflector arm.
3. Carefully lower the reflector from the fixture one side at a time (pin side first).
4. Once low enough to clear the reflector arm, pull reflector out.
5. Slide out from lamp socket and free the reflector completely.
6. For Installation, reverse these instructions.

PROPRIETARY ROLL LOCK SOCKET (ILUMINAR LIGHTING FIXTURES)

ILUMINAR Lighting created the first of its kind, single-handed "Roll-Lock" socket for simple, one-handed lamp installation. We know it can get tricky to load new lamps - it's too easy to drop the lamp and lose that investment. Keep your lamps safe when you install using the Roll Lock socket. The Roll Lock Socket works with all DE Lamps - HPS, MH, and CMH, for all wattage options.

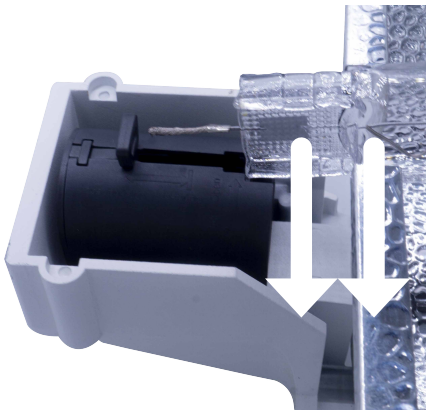
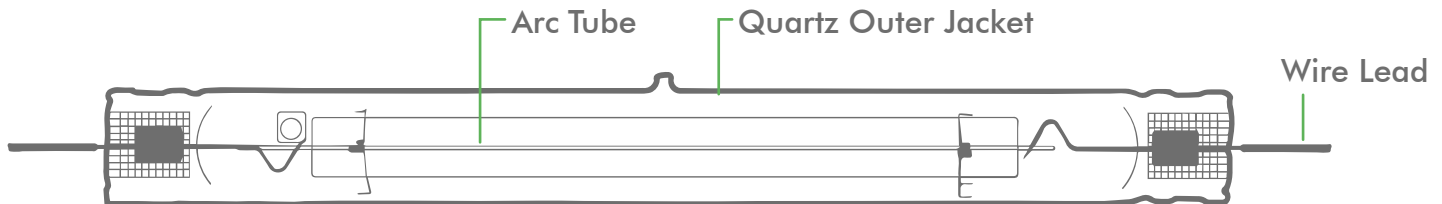


Photo A

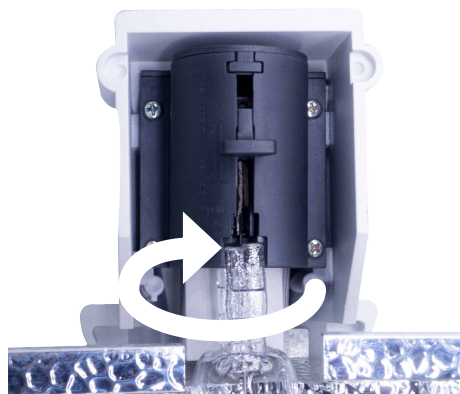


Photo B

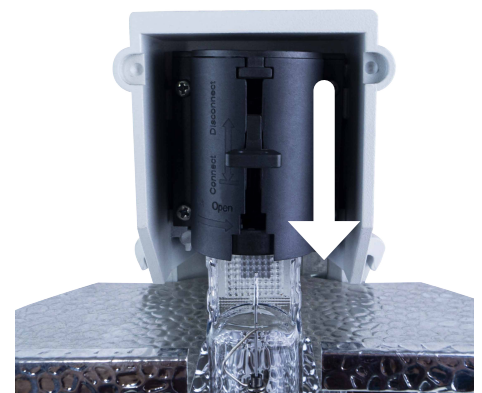


Photo C

ROLL LOCK SOCKET INSTALLATION

1. Slide both levers away from the lamp to the "Open" position. (Photo A) Each socket applies up to 5mm of lateral pressure to ensure a secure fit.
2. Ensure both wire ends/leads are straight - **DO NOT BEND THE WIRE LEADS!** Ensure the wire leads are **NOT FRAYED OR LOOSE** (if there are frays, twist them back into the wire leads). Small frays of metal can cause the fixture to arc or melt.

CAUTION: DO NOT HANDLE THE LAMP WITH BARE HANDS
The oils from your hands can be dangerous when burning off in the high heat of the lamp.

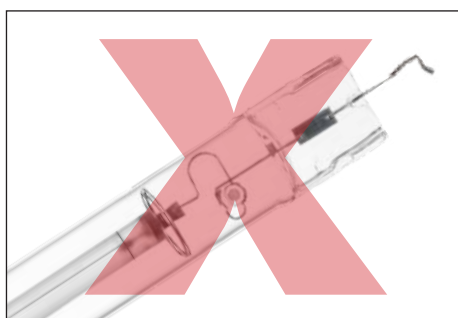
ROLL LOCK SOCKET INSTALLATION (CONT.)

- Using soft gloves to handle the lamp, slide the lamp into the fixture (with metal leads straight) until the lamp is fully seated.
- Rotate the bulb, itself, to lock it into place (so that it will not move).
- Slide both socket levers toward the lamp to the "closed" position to add a second lock to fix the lamp into position. If the lamp is seated correctly, both levers should easily slide inward to lock the DE lamp into the socket. It is now ready to use.

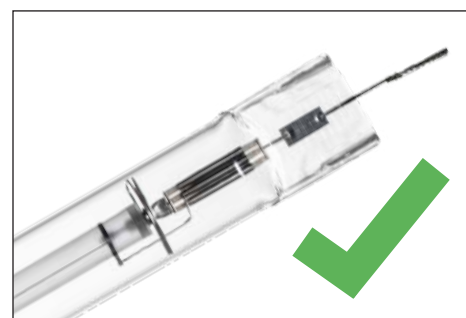
DO NOT force the levers closed, this can cause damage to both the lamp and the levers. **DO NOT** handle the lamp with bare hands. Always wear surgical or cloth gloves when handling the lamp to minimize fingerprints and oils left on the lamp. If the lamp needs cleaning after installation, use a soft, dry cotton cloth to wipe off fingerprints/skin oils.



DO NOT FRAY



DO NOT BEND



ROLL LOCK SOCKET UNINSTALL

- To remove or change the lamp, simply follow the steps above.
- Slide both socket levers away from the lamp to the "Open" position. (Photo A)
- USING SURGICAL OR COTTON GLOVES**, gently rotate the lamp itself to open the Roll Lock Socket.
- Gently lift the lamp out of the sockets.
- Rotate the new bulb into place.
- Slide both socket levers toward the lamp to the "closed" position.

WATCH ROLL LOCK VIDEO GUIDE



TROUBLESHOOTING

Follow these troubleshooting solutions:

Possible Cause

Corrective Maintenance

Lamp Loose in Socket	Ensure the lamp is fully inserted into the socket and that it has been properly locked.
Incorrect Voltage	Make sure you're using the correct input voltage with ballast. If using incorrect voltage, disconnect the ballast from the power source immediately.
Defective or Improper Wiring	Examine wiring to ensure it agrees with wiring diagrams on ballast label. Check connections to see that they are secure. If wiring a 240v ballast, DO NOT use a neutral. The correct wiring is two hot wires and a ground.
Poor electrical connections	Check wiring and lamp contact with socket.
Incorrect Lamp	Verify that you're using a correct wattage lamp.
Lamp Damage	Investigate possibility of outer lamp damage. Look for broken tubes or loose metal replace lamp.

RETURNS

WARRANTY

Please contact your point of purchase store for returns.

When properly used, this unit will provide you with years of service. The bracket arm is covered under a 3 year limited warranty and the reflector has a 1 year warranty. This warranty will be voided if the unit is misused, abused, opened or altered. Warranty repair or replacement will be at the sole discretion of the manufacturer. Defective units need to be returned to the place of purchase with proof of purchase/receipt.

For more warranty information, visit iluminarlighting.com/warranty

CERTIFICATIONS



This guide does not supersede national, state, or local regulations for electrical installations.