



750W/600W

MH / HPS

VOLTAGE:

120V/240V

277V

SKU:

ILUM-DE-N756-24

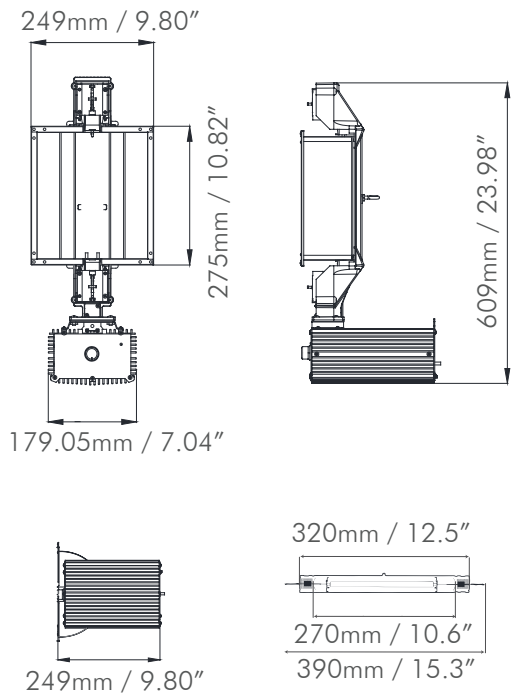
ILUM-DE-6750277

DE FIXTURE

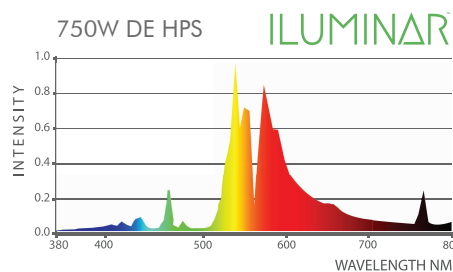
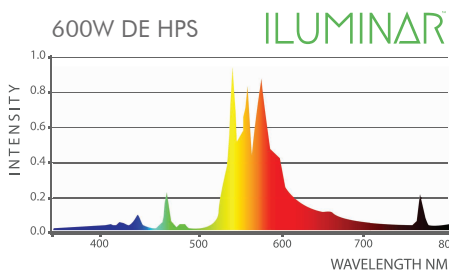
TECHNICAL SPECS	120V	240V	277V
Input Current	7.60A	3.50A	2.91A
Input Power	805W	795W	790W
Rated Voltage	120V	240V	277V
Voltage Range	108-264V		249-305V
PPF	1407 $\mu\text{mol/s}$		
THD	<10%		
Dimmable	0 -10V Controllable		
Min. Power Factor	0.99		
Crest Factor	<1.7		
Connection	IP67 Wieland Plug		
Frequency	48 - 63Hz		
BTU Output	3,300 btu		
Relative Humidity	25-70% (Non-condensing)		
Operation Temp.	0 - 35°C / 32-95°F		
Recommended Lamp	750W DE 400V		
Lamp Included	ILUMINAR HPS DE 750W		
Lamp Base	K12 x 30s		
Weight	6.2kg / 13.66lbs		
Standalone Coverage	5'x4'		
Minimum Mounting Height	1.2m / 4'		
Fixture Width	9.80" / 249mm		
Fixture Height	23.98" / 609mm		
Ballast Width	7.04" / 179mm		
Ballast Height	5.1" / 130.5mm		



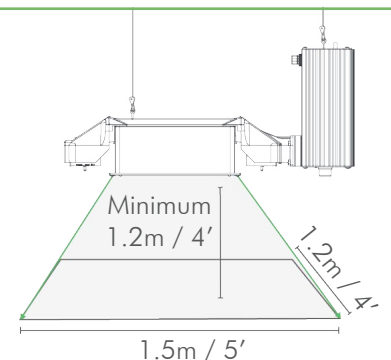
DIMENSIONS



DE HPS SPECTRUM



MOUNTING & COVERAGE



iluminarlighting.com
Toll Free: 1-877-540-5588

3 YEAR WARRANTY

© Copyright 2022 ILUMINAR Lighting
Subject to change without notice.