



**iL5xc**  
LED Lighting Solutions



# USER MANUAL

**iL5XC MODEL 330W**



Intertek



**IL-5xc26FSG-120**  
**IL-5xc26FSG-480**

1-877-540-5588  
iluminarlighting.com  
sales@iluminarlighting.com



Pre-Install Information .....	2
Technical & Physical Specifications .....	3
Hardware & Accessories .....	4
Instructions .....	5-6
Daisy Chain Instructions .....	7
PPFD Map .....	8-9
Important Cautions & Warranty .....	10

## Please read this manual thoroughly prior to installing or operating the ILUMINAR iL5xc.

- Observe all safety precautions (see page 10), seek the services of a qualified electrician, installation professional, or call ILUMINAR Lighting technicians for assistance.
- DO NOT handle or touch the fixture while in use.
- Connect the fixture only to the power sources of the appropriate voltage using the correct AC plug type. Protect power cables from being pinched, walked on, or otherwise damaged. Be especially careful where the power cable enters the power outlet to the unit. Only connect the fixture to an electrical outlet or extension cord of comparable standard and level rating. Connect the fixture ONLY to the power sources of the correct voltage using the plug received.
- The fixture should only be cleaned as directed. Always seek service for your system by qualified service personnel if any of the following occur:
  1. The fixture shows a noticeable change in performance.
  2. The powersupply cord or plug is damaged.
  3. The fixture has been dropped, or the exterior is damaged.



# iL5xc

LED Lighting Solution

MODEL:	2.6	WATTS:	330W
VOLTAGE:	100-277V		200-480V
SKU:	IL-5xc26FSG-120		IL-5xc26FSG-480

### TECHNICAL SPECS

PFF	858 $\mu\text{mol/s}$
Efficacy	2.6 $\mu\text{mol/J}$
Min Power Factor	0.9
THD	< 20%
Crest Factor	0.99
BTU	1128
Rated Voltage	120-277V AC / 347-480V AC
Frequency	50 / 60Hz
Dimmable	0-10V Controllable
Ambient Temperature	0 - 35°C / 32-95°F
Relative Humidity	98%
Plug Type	Power Cord Sold Separately
Color Temperature	4000k
Color Rendering Index	88
Minimum Mounting Height	6" - 12" to top of Canopy
Emitter Cooling	Passive / Extruded Case
Light Distribution +/- 5%	125°
Waterproof Rating	IP65 for Damp/Wet Conditions
LED Lifespan (90% of life)	55,000+ hours

### PHYSICAL SPECIFICATIONS

Length	1067 mm	42.01"
Width	1003 mm	39.49"
Height	129 mm	5.08"
Weight	13.5 kg	29.76 lbs

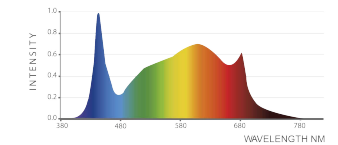
### VOLTAGE AND AMPERAGE

120V	2.85A	341W
208V	1.63A	335W
240V	1.41A	332W
277V	1.22A	330W
347V	0.99A	340W
480V	0.71A	331W

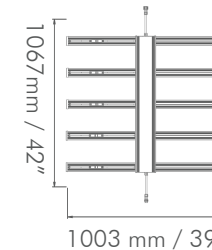
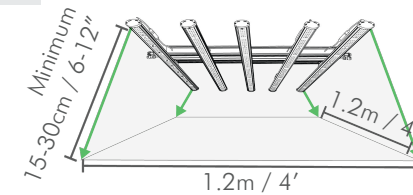
### TECHNICAL SPECS



### iL5xc 330W LED SPECTRUM



### MOUNTING & COVERAGE



iluminarlighting.com  
Toll Free: 1-877-540-5588

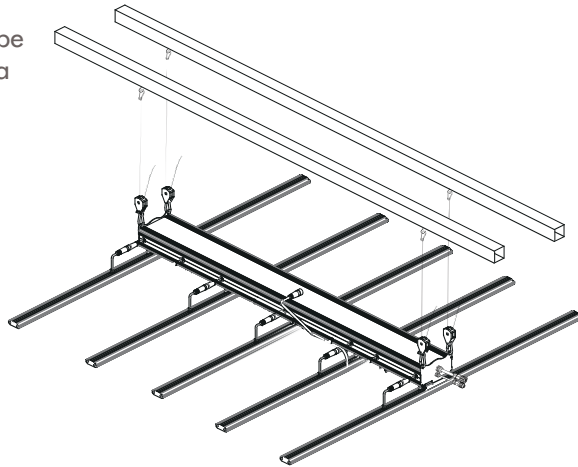
**5 YEAR**  
WARRANTY

© Copyright 2021 ILUMINAR Lighting  
Subject to change without notice.

# HARDWARE AND ACCESSORIES

The iL5xc can be hung from rope ratchets or can be mounted to a rack.

Before you begin installation, check that you have all the necessary parts to begin.



# IN THE BOX



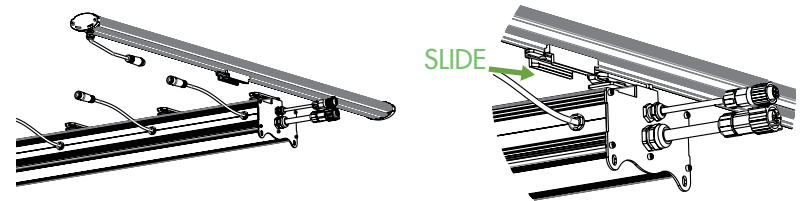
1 iL5xc Fixture



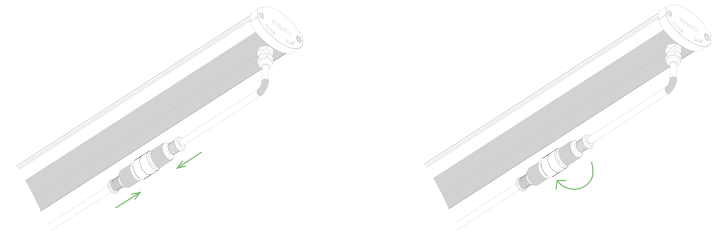
4 Rope Ratchets

# CONNECTION INSTRUCTIONS

**1** Lay the central mast on a flat table top or surface with the attachment brackets facing UP. Attach each LED Bar by aligning the plastic clips and carefully sliding them into place until you hear a soft click.



**2** Once the plastic clips are all snapped in place, attach the A/C cables coming from the mast to each LED bar by aligning the connector pins and pressing the ends together. Lock by twisting in opposite directions.



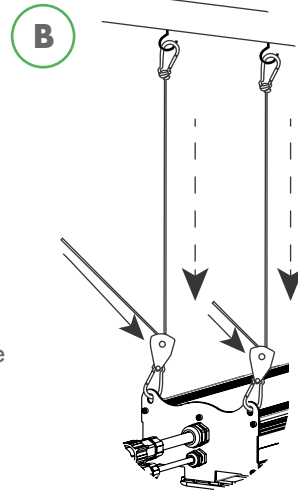
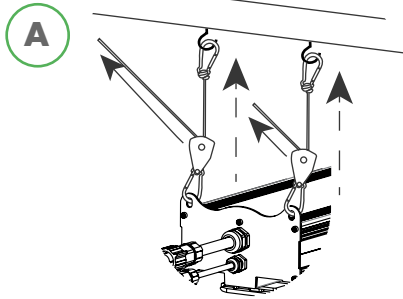
**3** Once all the LED bars are fastened into place and A/C cables are attached to the mast, turn the fixture over (this may require more than one person). Ensure the flat surface is clear of anything that could damage the delicate diodes.

**CAUTION** when handling your ILUMINAR iL Fixture. The LED array should NOT come in contact with sharp objects. DO NOT touch diodes or apply direct force to the diodes as this can/will cause permanent damage.

# HANGING INSTALLATION

1

To suspend mount, attach the 4 rope ratchets that come packaged with this fixture to the LED.



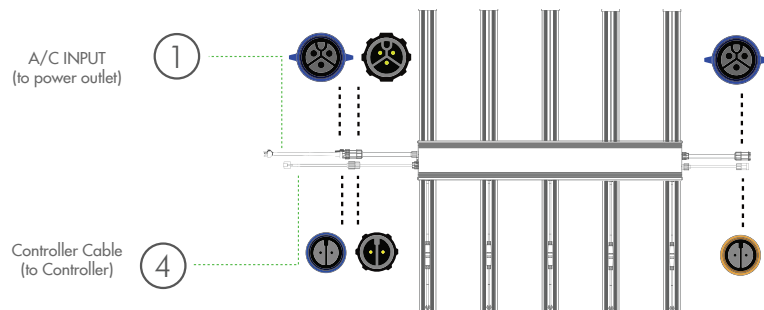
2

Lift the LED and attach the carabiners to pre-installed hooks from ceiling or mounting beam. The Ratchets should be installed closest to the LED (and not the ceiling).

A: Remove slack to raise fixture.  
B: Give slack to lower fixture.

3

Once fixture is hanging with all LED bars installed, connect the LED Power Cable from the outlet to the fixture.

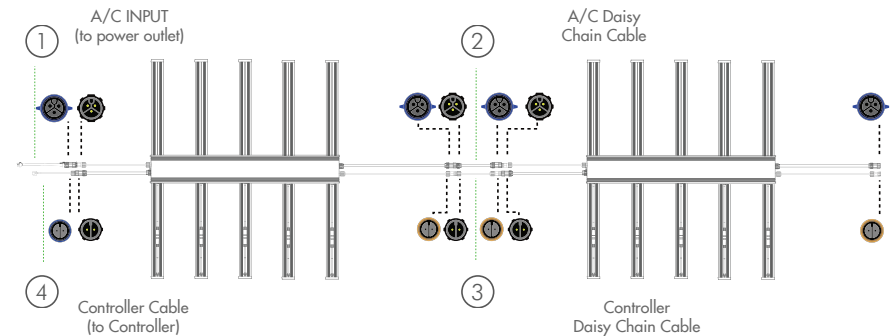


# DAISY CHAIN CONNECTIONS

7

If you plan to utilize several LEDs in your room or facility, one of the many benefits of the ILUMINAR LED is that you can “daisy chain” one fixture to another to save space and use only one outlet to run several lamps, thus minimizing the amount of cords used in your space.

If you plan to utilize the ILUMINAR HASH Controller, you can connect the connections from the controller to the fixture and then connect the Daisy Chain Controller Cable from fixture to fixture. Please consult with our lighting layout designers to ensure proper spacing of outlets for your unique setup.



## AVAILABLE CABLES

	NAME	VOLTAGE	SKU	LENGTH	DIAGRAM
①	120V Input Power Connection Cord	120V	IL-LED-120AC	1.7m / 68"	5-15P
	240V Input Power Connection Cord	240V	IL-LED-240AC	1.7m / 68"	6-15P
	277V Input Power Connection Cord	277V	IL-LED-277AC	1.7m / 68"	L7-15P
	347V Input Power Connection Cord	347V	IL-LED-347AC	1.7m / 68"	L24-20P
②	Daisy Chain Power Cable 1.8 Meter	120-277V	IL-LED-DC120	1.8m / 70"	
	Daisy Chain Power Cable 3 Meter	120-277V	IL-LEDDC1203M	3m / 118"	
	Daisy Chain Power Cable 1.8 Meter (Hi-Volt)	200-480V	IL-LED-DC480	1.8m / 70"	
	Daisy Chain Power Cable 3 Meter (Hi-Volt)	200-480V	IL-LED-DC4803M	3m / 118"	
③	Cord Set for LEDs Daisy Chain Dimmer	N/A	IL-1Dim18	1.8m / 70"	
	Cord Set for LEDs Daisy Chain Dimmer	N/A	IL-1Dim3	3m / 118"	
④	Cord Set for LEDs (Fixture to Touch controller)	N/A	IL-1DimRJ9	3m / 10'	
	Cord Set for LEDs (Fixture to HASH controller)	N/A	IL-1DimRJ14	3m / 10'	
	Cord Set for LEDs (Original - Fixture to 2 Wire)	N/A	IL-1Dim	0.7m / 2.3'	

6

# PPFD MAP

### Legend



PPFD MAP iL5xc at 0.5ft

224	357	307	394	394	307	356	222
355	566	612	623	622	612	565	350
383	611	663	675	675	662	609	379
390	620	673	686	686	673	618	385
389	619	673	685	685	672	617	385
382	609	660	672	672	660	607	377
351	561	606	616	616	606	559	347
218	347	376	383	383	375	345	215

<b>Clearance</b>	0.5	ft
<b>Qty</b>	1	u
<b>Average PPFD</b>	508.16	μmol/m <sup>2</sup> /s
<b>Max PPFD</b>	686	μmol/m <sup>2</sup> /s
<b>Min PPFD</b>	215	μmol/m <sup>2</sup> /s
<b>Median PPFD</b>	586	μmol/m <sup>2</sup> /s
<b>Min/Average</b>	42.31	%
<b>Watts</b>	330	W

PPFD MAP iL5xc at 3ft

125	145	160	167	167	159	144	124
145	168	186	195	195	185	167	143
159	185	205	216	216	205	184	158
167	194	215	227	226	215	193	165
166	194	215	226	226	215	193	164
158	184	204	214	214	203	183	156
143	166	183	192	192	183	165	141
123	142	156	164	164	156	141	122

<b>Clearance</b>	3	ft
<b>Qty</b>	1	u
<b>Average PPFD</b>	177.39	μmol/m <sup>2</sup> /s
<b>Max PPFD</b>	227	μmol/m <sup>2</sup> /s
<b>Min PPFD</b>	122	μmol/m <sup>2</sup> /s
<b>Median PPFD</b>	175.5	μmol/m <sup>2</sup> /s
<b>Min/Average</b>	68.78	%
<b>Watts</b>	330	W

PPFD MAP iL5xc at 1ft

196	200	323	339	339	322	270	194
278	401	463	485	485	462	398	275
321	462	535	561	560	533	459	317
337	484	560	588	587	559	481	333
336	483	559	587	586	557	480	332
319	459	531	557	556	530	456	315
274	395	457	478	478	455	392	271
191	272	314	330	330	313	270	188

<b>Clearance</b>	1	ft
<b>Qty</b>	1	u
<b>Average PPFD</b>	408.72	μmol/m <sup>2</sup> /s
<b>Max PPFD</b>	588	μmol/m <sup>2</sup> /s
<b>Min PPFD</b>	188	μmol/m <sup>2</sup> /s
<b>Median PPFD</b>	428	μmol/m <sup>2</sup> /s
<b>Min/Average</b>	46	%
<b>Watts</b>	330	W

PPFD MAP iL5xc at 4ft

125	139	149	154	154	149	140	126
139	154	166	172	172	166	155	140
149	166	179	185	185	179	167	150
154	172	185	192	192	186	173	155
154	172	185	192	192	185	172	155
148	165	178	184	185	178	166	149
138	153	165	171	171	165	154	139
124	137	147	153	153	148	138	125

<b>Clearance</b>	4	ft
<b>Qty</b>	1	u
<b>Average PPFD</b>	161.09	μmol/m <sup>2</sup> /s
<b>Max PPFD</b>	192	μmol/m <sup>2</sup> /s
<b>Min PPFD</b>	124	μmol/m <sup>2</sup> /s
<b>Median PPFD</b>	160	μmol/m <sup>2</sup> /s
<b>Min/Average</b>	76.98	%
<b>Watts</b>	330	W

PPFD MAP iL5xc at 1.5ft

170	233	270	207	207	269	231	176
232	308	358	380	380	356	305	230
269	357	416	442	442	414	354	266
286	379	441	470	469	440	376	282
285	378	440	469	468	439	375	281
267	354	412	439	438	411	351	263
229	303	352	375	374	351	301	226
173	227	264	280	280	262	225	171

<b>Clearance</b>	1.5	ft
<b>Qty</b>	1	u
<b>Average PPFD</b>	326.22	μmol/m <sup>2</sup> /s
<b>Max PPFD</b>	470	μmol/m <sup>2</sup> /s
<b>Min PPFD</b>	170	μmol/m <sup>2</sup> /s
<b>Median PPFD</b>	329.5	μmol/m <sup>2</sup> /s
<b>Min/Average</b>	52.11	%
<b>Watts</b>	330	W

PPFD MAP iL5xc at 5ft

97	104	110	113	113	110	105	97
105	113	119	122	122	119	113	105
110	119	126	129	129	126	120	111
113	122	129	133	133	129	123	113
113	122	129	133	133	129	123	113
110	119	125	129	129	126	119	110
104	112	118	122	122	119	113	104
96	104	109	112	112	109	104	97

<b>Clearance</b>	5	ft
<b>Qty</b>	1	u
<b>Average PPFD</b>	116.42	μmol/m <sup>2</sup> /s
<b>Max PPFD</b>	133	μmol/m <sup>2</sup> /s
<b>Min PPFD</b>	96	μmol/m <sup>2</sup> /s
<b>Median PPFD</b>	115.5	μmol/m <sup>2</sup> /s
<b>Min/Average</b>	82.46	%
<b>Watts</b>	330	W

# CAUTION

---

Please read the following list carefully prior to beginning installation.

1. Leave at least one inch of space between the fixture and the mounting area for maximum performance and lifespan.
2. ALWAYS wear protective eye wear when looking directly at the diodes to prevent eye damage.
3. Only handle, clean or move fixture when it's unplugged and completely cool.
4. Keep the fixture free of dust, debris, deposits to ensure the maximum potential of the fixture.
5. NEVER use cloth to clean the diodes. This will scratch the diodes and could potentially break or dislodge them.
6. DO NOT use chemicals to clean the fixture. Use ONLY low pressure air or low pressure water to remove dust and debris.
7. Do not exceed 70% max load for breakers due to Inrush current in LED fixtures

**5** YEAR  
WARRANTY

**GUARANTEE**

At ILUMINAR, we stand behind our products and our technology as well as our customers. All ILUMINAR fixtures are backed by our 5-Year Guarantee. Please visit our website [iluminarlighting.com/warranty](http://iluminarlighting.com/warranty) for more information.