



iL9x
LED Lighting Solutions



USER MANUAL

iL9x MODEL 1000W



IL-9x26FSG-120

1-877-540-5588
iluminarlighting.com
sales@iluminarlighting.com



CONTENTS

- Pre-Install Information 2
- Technical & Physical Specifications..... 3
- Hardware & Accessories 4
- Connections & Hanging Instructions 5 - 7
- Daisy Chain Connections 8 - 9
- Precautions & Warranty 10

Please read this manual thoroughly prior to installing or operating the ILUMINAR iL9x.

- Observe all safety precautions (see page 10), seek the services of a qualified electrician, installation professional, or call ILUMINAR Lighting technicians for assistance.
- DO NOT handle or touch the fixture while in use.
- Connect the fixture only to the power sources of the appropriate voltage using the correct AC plug type. Protect power cables from being pinched, walked on, or otherwise damaged. Be especially careful where the power cable enters the power outlet to the unit. Only connect the fixture to an electrical outlet or extension cord of comparable standard and level rating. Connect the fixture ONLY to the power sources of the correct voltage using the plug received.
- The fixture should only be cleaned as directed. Always seek service for your system by qualified service personnel if any of the following occur:
 1. The fixture shows a noticeable change in performance.
 2. The power-supply cord or plug is damaged.
 3. The fixture has been dropped, or the exterior is damaged.

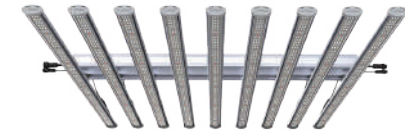


iL9x
LED Lighting Solution

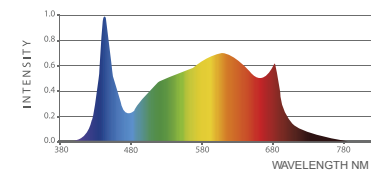
MODEL: 2.6 WATTS: 1000W
VOLTAGE: 100-277V
SKU: IL-9x26F5G-120

TECHNICAL SPECS

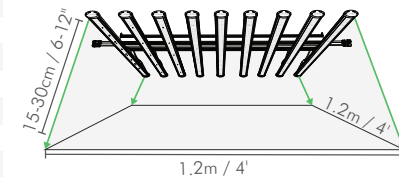
Rated Voltage	120-277V AC
Voltage Range (+/-10%)	100-277V
PPF	2600 μmol/s
Efficacy	2.6 μmol/J
Min Power Factor	0.9
THD	< 20%
Crest Factor	0.99
BTU	3,400
Frequency	50 / 60Hz
Dimmable	0-10V Controllable
Ambient Temperature	0 - 35°C / 32-95°F
Relative Humidity	98%
Color Temperature	4,000k
Color Rendering Index	88
Minimum Mounting Height	6-12" to top of Canopy
Emitter Cooling	Passive / Extruded Case
Light Distribution +/- 5%	125°
Waterproof Rating	IP65 for Damp/Wet Conditions
LED Lifespan (90% of Life)	55,000+ hours



iL9x LED SPECTRUM



MOUNTING & COVERAGE

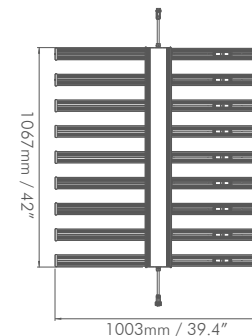


PHYSICAL SPECIFICATIONS

Length	1067mm	42.01"
Width	1003mm	39.49"
Height	129mm	5.08"
Weight	18.58kg	40.96lbs

VOLTAGE AND AMPERAGE

120V	8.5A	1018W
208V	4.86A	1001W
240V	4.21A	994W
277V	3.64A	985W
347V	2.95A	1015W
480V	2.12A	990W



iluminarlighting.com
Toll Free: 1-877-540-5588

5 YEAR
WARRANTY

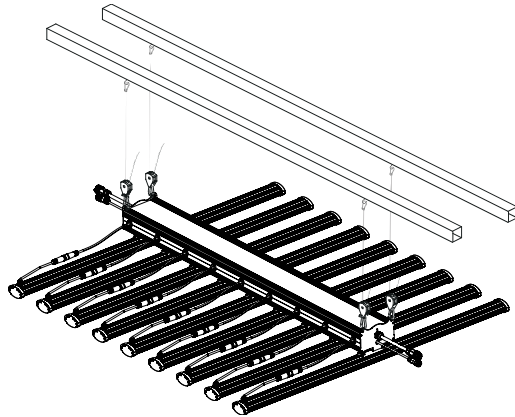


© Copyright 2022 ILUMINAR Lighting
Subject to change without notice.

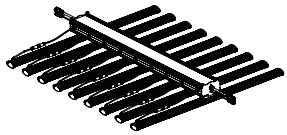
HARDWARE AND ACCESSORIES

The iL9x can be hung from rope ratchets or can be mounted to a rack.

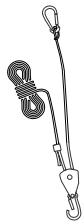
Before you begin installation, check that you have all the necessary parts to begin.



IN THE BOX



1 iL9x Fixture

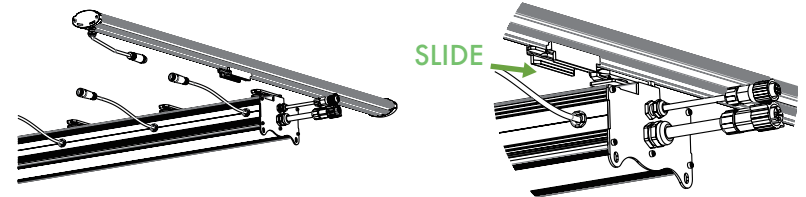


4 Rope Ratchets

CONNECTION INSTRUCTIONS

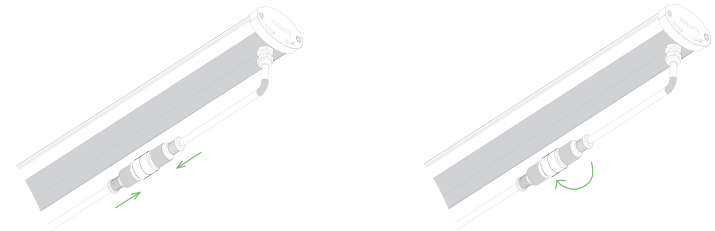
1

Lay the central mast on a flat table top or surface with the attachment brackets facing UP. Attach each LED Bar by aligning the plastic clips and carefully sliding them into place until you hear a soft click.



2

Once the plastic clips are all snapped in place, attach the A/C cables coming from the mast to each LED bar by aligning the connector pins and pressing the ends together. Lock by twisting in opposite directions.



3

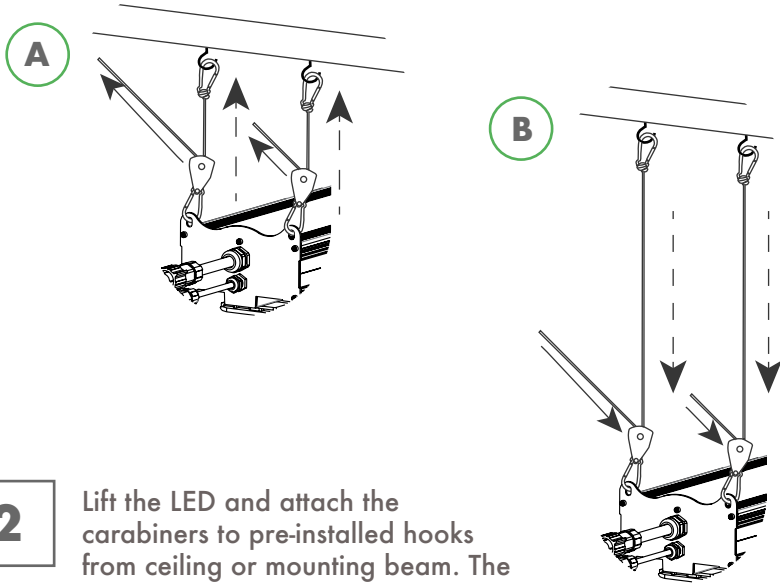
Once all the LED bars are fastened into place and A/C cables are attached to the mast, turn the fixture over (this may require more than one person). Ensure the flat surface is clear of anything that could damage the delicate diodes.



CAUTION when handling your ILUMINAR iL Fixture. The LED array should NOT come in contact with sharp objects. DO NOT touch diodes or apply direct force to the diodes as this can/will cause permanent damage.

HANGING INSTALLATION

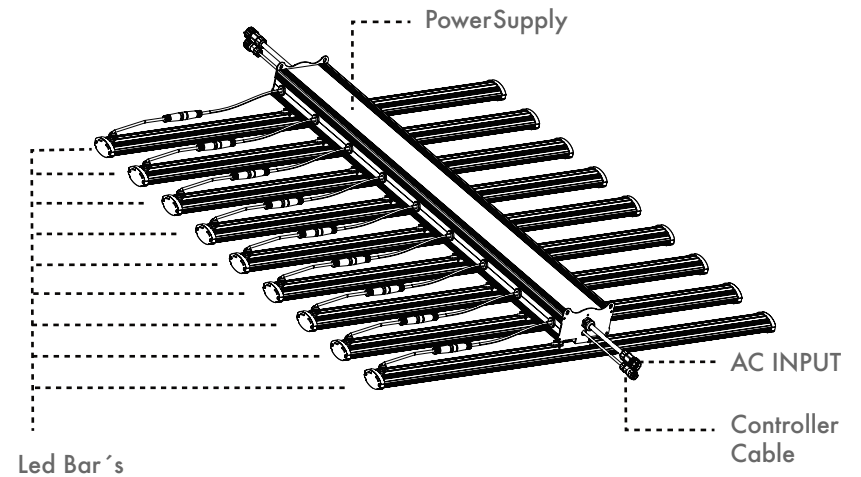
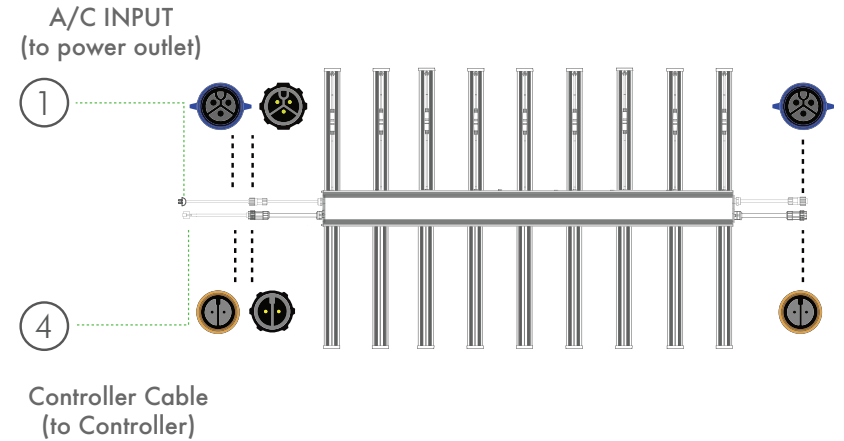
1 To suspend mount, attach the 4 rope ratchets that come packaged with this fixture to the LED.



2 Lift the LED and attach the carabiners to pre-installed hooks from ceiling or mounting beam. The Ratchets should be installed closest to the LED (and not the ceiling).

A: Remove slack to raise fixture.
 B: Give slack to lower fixture.

3 Once fixture is hanging with all LED bars installed, connect the power cable (blue tip) from the outlet to one side of the fixture.

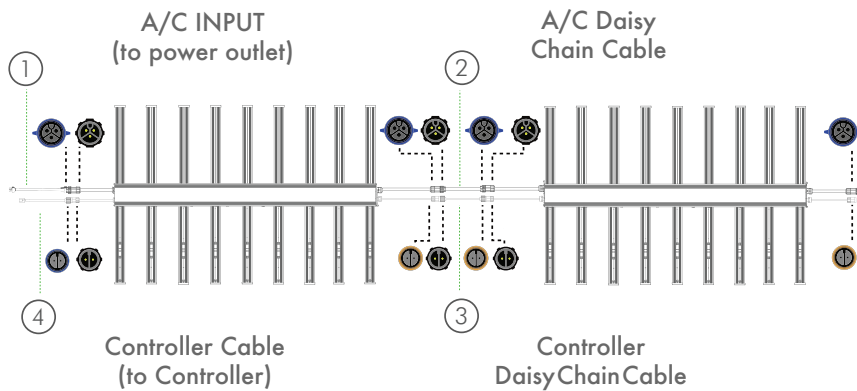


DAISY CHAIN CONNECTIONS

If you're planning to utilize several LEDs in your room or facility, one of the many benefits of the ILUMINAR LED is that you can "daisy chain" one fixture to another to save space and use only one outlet to run several lamps thus minimizing the amount of cords used in your space.

1

If you plan to utilize the ILUMINAR HASH Controller, you can connect the yellow connections from the controller to the fixture and then connect the Daisy Chain Controller Cable from fixture to fixture. Please consult with our lighting layout designers to ensure proper spacing of outlets for your unique setup.



AVAILABLE CABLES

NAME	VOLTAGE	SKU	LENGTH	DIAGRAM
120V Input Power Connection Cord	120V	IL-LED-120AC	1.7m / 68"	
240V Input Power Connection Cord	240V	IL-LED-240AC	1.7m / 68"	
277V Input Power Connection Cord	277V	IL-LED-277AC	1.7m / 68"	
347V Input Power Connection Cord	347V	IL-LED-347AC	1.7m / 68"	
Daisy Chain Power Cable 1.8 Meter	120-277V	IL-LED-DC120	1.8m / 70"	
Daisy Chain Power Cable 3 Meter	120-277V	IL-LED-DC1203M	3m / 118"	
Daisy Chain Power Cable 1.8 Meter (Hi-Volt)	200-480V	IL-LED-DC480	1.8m / 70"	
Daisy Chain Power Cable 3 Meter (Hi-Volt)	200-480V	IL-LED-DC4803M	3m / 118"	
Cord Set for LEDs Daisy Chain Dimmer	N/A	IL-1Dim18	1.8m / 70"	
Cord Set for LEDs Daisy Chain Dimmer	N/A	IL-1Dim3	3m / 118"	
Cord Set for LEDs (Fixture to Touch controller)	N/A	IL-1DimRJ9	3m / 10'	
Cord Set for LEDs (Fixture to HASH controller)	N/A	IL-1DimRJ14	3m / 10'	
Cord Set for LEDs (Original - Fixture to 2 Wire)	N/A	IL-1Dim	0.7m / 2.3'	

CAUTION

Please read the following list carefully prior to beginning installation.

1. Leave at least one inch of space between the fixture and the mounting area for maximum performance and lifespan.
2. ALWAYS wear protective eye wear when looking directly at the diodes to prevent eye damage.
3. Only handle, clean or move fixture when it's unplugged and completely cool.
4. Keep the fixture free of dust, debris, deposits to ensure the maximum potential of the fixture.
5. NEVER use cloth to clean the diodes. This will scratch the diodes and could potentially break or dislodge them.
6. DO NOT use chemicals to clean the fixture. Use ONLY low pressure air or low pressure water to remove dust and debris.
7. Do NOT exceed 70% max load for breakers due to Inrush current in LED fixtures.
8. Do NOT use sulfur vaporizers.

5 YEAR
WARRANTY

GUARANTEE

At ILUMINAR, we stand behind our products and our technology as well as our customers. All ILUMINAR fixtures are backed by our 5-Year Guarantee. Please visit our website iluminarlighting.com/warranty for more information.