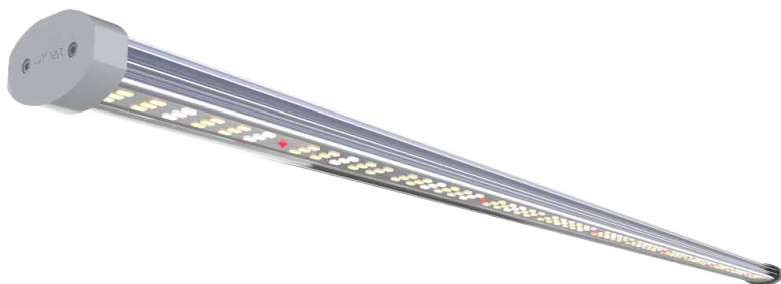




iLBAR
LED Lighting Solutions



USER MANUAL

iL23 40W
iL47 80W



IL-2325FSG-120
IL-4725FSG-120

1-877-540-5588
iluminarlighting.com
sales@iluminarlighting.com



CONTENTS

Pre-Install Information	2
Technical & Physical Specifications.....	3
Hardware & Accessories	4
Hanging Instructions	5-6
Mounting Instructions	7
Connections	8
Additional Accessories.....	9
Important Cautions & Warranty	10

Please read this manual thoroughly prior to installing or operating the ILUMINAR iLBAR.

- Observe all safety precautions (see page 10), seek the services of a qualified electrician, installation professional, or call ILUMINAR Lighting technicians for assistance.
- DO NOT handle or touch the fixture while in use.
- Connect the fixture only to the power sources of the appropriate voltage using the correct AC plug type. Protect power cables from being pinched, walked on, or otherwise damaged. Be especially careful where the power cable enters the power outlet to the unit. Only connect the fixture to an electrical outlet or extension cord of comparable standard and level rating. Connect the fixture ONLY to the power sources of the correct voltage using the plug received.
- The fixture should only be cleaned as directed. Always seek service for your system by qualified service personnel if any of the following occur:
 - The fixture shows a noticeable change in performance.
 - The power-supply cord or plug is damaged.
 - The fixture has been dropped, or the exterior is damaged.



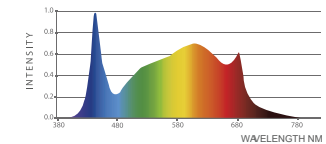
iLBAR

iL23 / iL47 MODELS

VOLTAGE:	120-277V	MODEL:	2.5
SKU:	IL-2325FSG-120	WATTS:	40W
	IL-4725FSG-120		80W



ILBAR LED SPECTRUM



TECHNICAL SPECS	iL23	iL47
PPF	100 $\mu\text{mol/s}$	200 $\mu\text{mol/s}$
BTU	136	272
Efficacy	2,5 $\mu\text{mol/J}$	
Rated Voltage	120-277V AC	
Voltage Range	100-277V	
Minimum Mounting Height	>6-12" to top of Canopy	
Emitter Cooling	Passive / Extruded Case	
Waterproof Rating	IP65 for Damp/Wet Conditions	
LED Lifespan (90%)	55,000+ hours	
Ambient Temperature	0 - 35°C / 32-95°F	
Color Temperature	4000k	
Relative Humidity	98%	
Frequency	50 / 60Hz	
THD	< 20%	
Color Rendering Index	88	
Min. Power Factor	>0.9	
Crest Factor	0.99	
Plug Type	Power Cord Sold Separately	

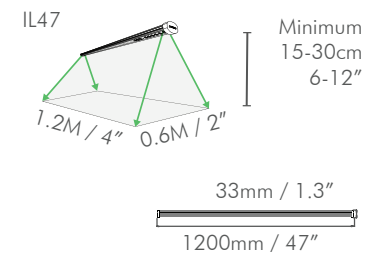
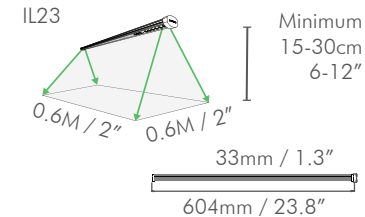
VOLTAGE AND AMPERAGE

	iL23		iL47	
120V	0.35A	42W	0.69A	82W
208V	0.20A	41W	0.40A	81W
240V	0.18A	40W	0.35A	80W
277V	0.16A	40W	0.31A	81W

PHYSICAL SPECIFICATIONS

	iL23	iL47
Length	604mm / 23.8"	1200mm / 47"
Width	54mm / 2.1"	54mm / 2.1"
Height	33mm / 1.3"	33mm / 1.3"
Weight	0.7kg / 1.50 lbs	1.3kg / 2.87 lbs

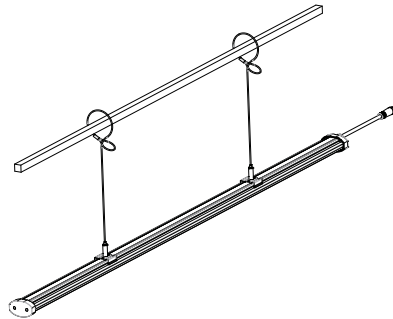
MOUNTING & COVERAGE



HARDWARE AND ACCESSORIES

The iLBAR LED fixture can be hung from steel cables or can be mounted to a rack.

Before you begin installation, check that you have all the necessary parts to begin.



IN THE BOX



1 iLBAR Fixture



2 Metal Clips for Hanging Cables



2 Screws for Clips & Hanging Cables



2 Steel Hanging Cables with Cylindrical Lock

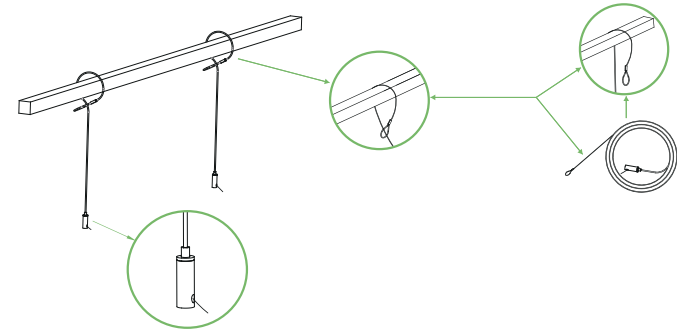


2 Screws & 2 Anchors

HANGING INSTALLATION

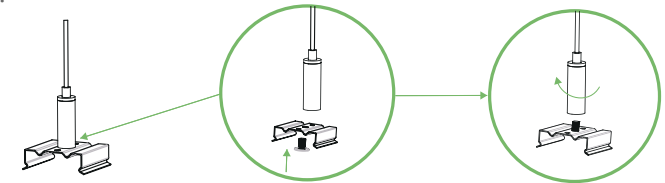
1

Loop the steel cables over the beam, feeding the wire through its loop and letting the cylindrical lock hang.



2

Using the provided screw, attach the clip to the steel cable's cylindrical lock.



3

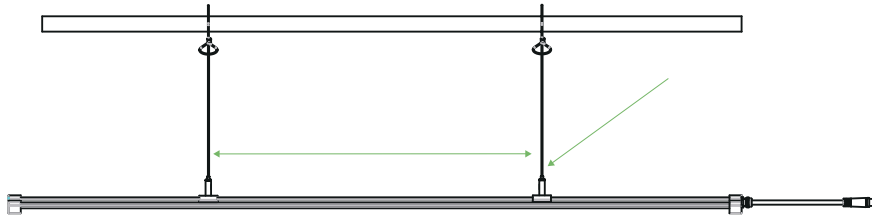
Snap the clips onto the light bar's heat sink.



(see next page...)

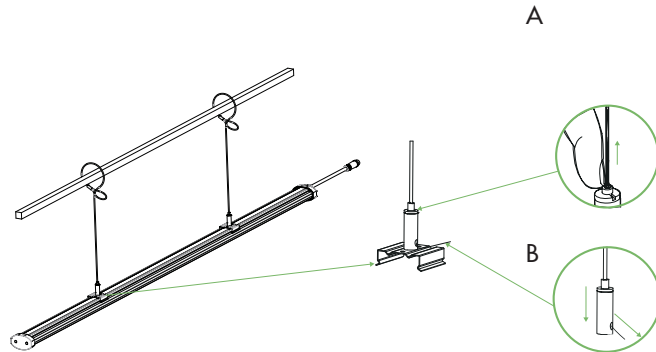
4

Adjust the spacing of the clips as needed.



5

Pull the steel cable down through the cylindrical lock to adjust the fixture height.

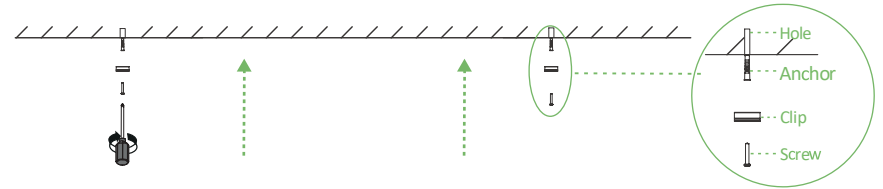


To shorten cable: Press the cable down through the cylindrical lock. (Figure A)
To extend cable: Press metal top down and pull up on cable. (Figure B)

MOUNTING INSTRUCTIONS

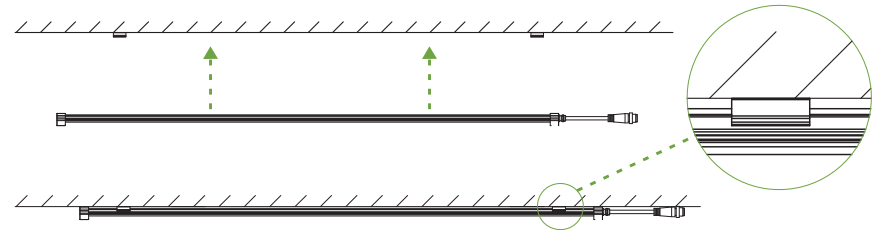
1

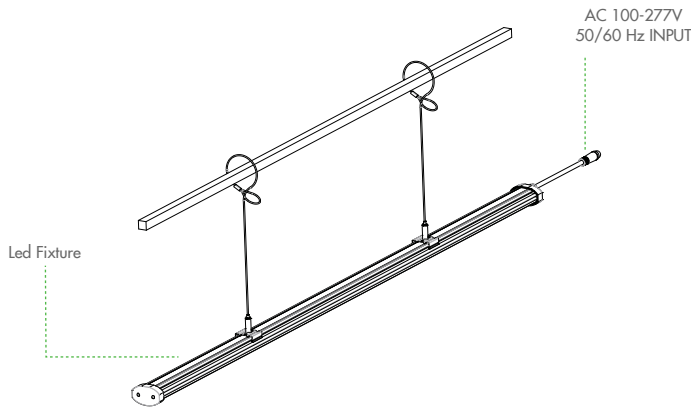
Drill 4 holes into an overhead structure or rack. Insert the provided mounting anchors into the holes and screw the metal clips directly into the anchors.



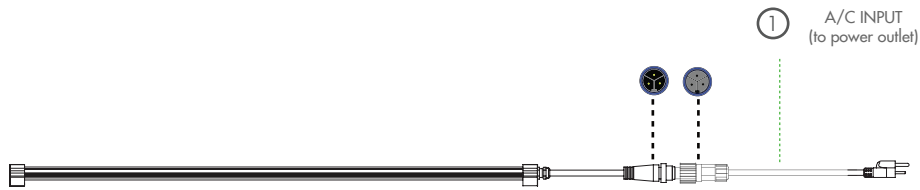
2

Snap the bar into the clips.





WIRING DIAGRAM

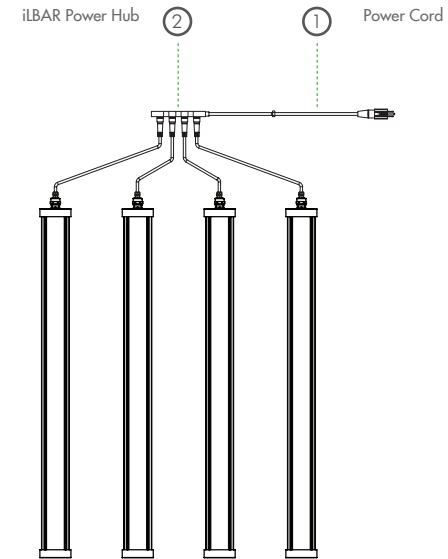


AVAILABLE CABLES

	NAME	VOLTAGE	SKU	DIAGRAM
①	Power Cord iLW and iLBar - 120V	120V	IL-ILWCRD-120	
	Power Cord iLW and iLBar - 240V	240V	IL-ILWCRD-240	
	Power Cord iLW and iLBar - 277V	277V	IL-ILWCRD-277	
②	iLW and iLBar Quad Connector	N/A	IL-LEDCON-DUAL	
	iLW and iLBar Triple Connector	N/A	IL-LEDCON-TRIP	
	iLW and iLBar Dual Connector	N/A	IL-LEDCON-QUAD	
③	Extension Cord for iLW and iLBar	120V-277V	IL-LEDCON-Extension	

If you use more than one iLBAR in your grow room or clone rack, save space by adding in the iLBAR Power Hub. The hub comes as a dual-, tri- or quad-connector that will send power to each of your iLBAR fixtures without the need of additional outlets.

When using the iLBAR Dual/Tri/Quad Power Hubs for daisy chaining fixtures, the max load at 120V is 400W Power and at 277V is 800W power.



CAUTION

Please read the following list carefully prior to beginning installation.

1. Leave at least one inch of space between the fixture and the mounting area for maximum performance and lifespan.
2. ALWAYS wear protective eye wear when looking directly at the diodes to prevent eye damage.
3. The LED array should NEVER come in contact with sharp objects.
4. Do not touch or apply force to the diodes - this will cause permanent damage.
5. Only handle, clean or move fixture when it's unplugged and completely cool.
6. Keep the fixture free of dust, debris, deposits to ensure the maximum potential of the fixture.
7. NEVER use cloth to clean the diodes. This will scratch the diodes and could potentially break or dislodge them.
8. DO NOT use chemicals to clean the fixture. Use ONLY low pressure air or low pressure water to remove dust and debris.
9. Do NOT use sulfur vaporizers.

5 YEAR
WARRANTY

GUARANTEE

At ILUMINAR, we stand behind our products and our technology as well as our customers. All ILUMINAR LED fixtures are backed by our 5-Year Guarantee. Please visit our website iluminarlighting.com/warranty for more information.