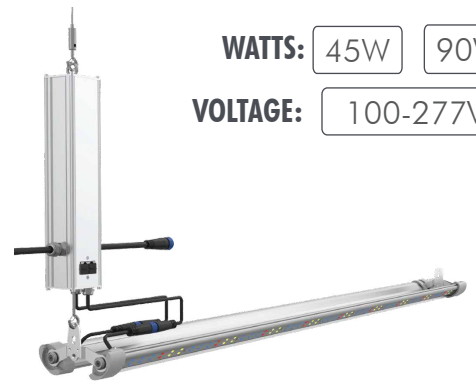




# INYI LED

LED Lighting Solution

WATTS: 45W 90W  
VOLTAGE: 100-277V



## TECHNICAL SPECS 45W

Rated Voltage	100-277V					
Spectrum	RB2		SRG		FSG	
PPF ( $\mu\text{mol/s}$ )	121	135	121	135	121	135
Efficacy ( $\mu\text{mol/J}$ )	2.7	3.0	2.7	3.0	2.7	3.0
BTU	155					

## VOLTAGE AND AMPERAGE

120V	0.38A	45W
208V	0.21A	45W
230V	0.19A	45W
277V	0.16A	45W

## TECHNICAL SPECS 90W

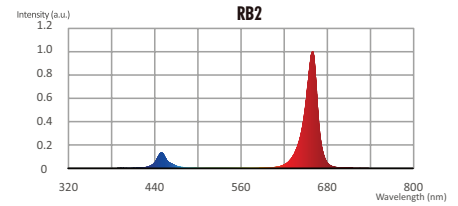
Rated Voltage	100-277V					
Spectrum	RB2		SRG		FSG	
PPF ( $\mu\text{mol/s}$ )	243	270	243	270	243	270
Efficacy ( $\mu\text{mol/J}$ )	2.7	3.0	2.7	3.0	2.7	3.0
BTU	306					

## VOLTAGE AND AMPERAGE

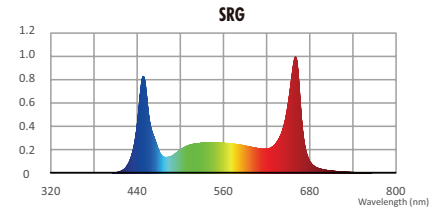
120V	0.78A	92.8W
208V	0.45A	91.9W
230V	0.41A	90.7W
277V	0.41A	91.3W

Min Power Factor	0.95
THD	< 20%
Dimmable	0-10V Controllable
Ambient Temperature	0 - 35°C / 32-95°F
Waterproof Rating	IP65 for Damp/Wet Conditions
LED Lifespan (90% of Life)	L90: > 50,000hrs L70: >78,000hrs

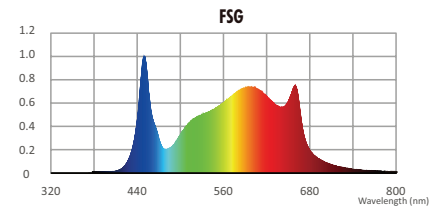
## LED SPECTRUM



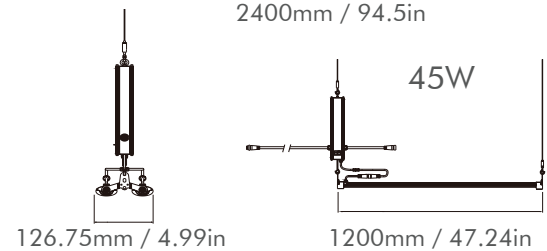
SKU: IL-INYI-45R IL-INYI-90R



SKU: IL-INYI-45S IL-INYI-90S



SKU: IL-INYI-45F IL-INYI-90F



iluminarlighting.com  
Toll Free: 1-877-540-5588

**5 YEAR**  
WARRANTY

© Copyright 2023 ILUMINAR Lighting  
Subject to change without notice.