



UNDER CANOPY

MODEL IL-UNDCPY-160**WATTS** 160W**VOLTAGE** 120-277V**SKU** UCL-160W-R
UCL-160W-FS

TECHNICAL SPECS

Efficacy	3.05 $\mu\text{mol}/\text{J}$
PPF	467 $\mu\text{mol}/\text{s}$
Input Power	160W
Input Voltage	120-277V AC
Input Current	0.58-1.33A
Frequency	50/60Hz
Thermal Management	Passive
Ambient Temperature	0-40°C / 32-104°F
Light Distribution	120°
Control	0-10 Dimming
Light Distribution	50,000 hrs

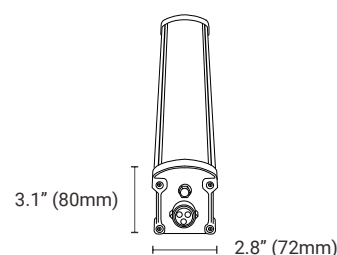
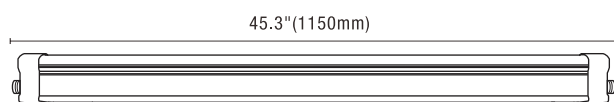
PHYSICAL SPECIFICATIONS

Length	1150 mm	45.3"
Width	72 mm	2.8"
Height	80 mm	3.1"

VOLTAGE & AMPERAGE

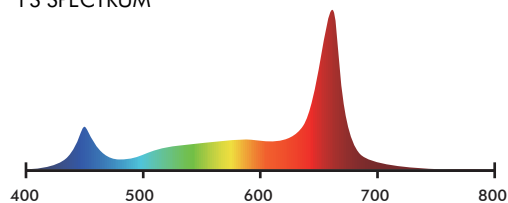
120V	1.33A
208V	0.77A
220V	0.73A
277V	0.58A

MOUNTING & COVERAGE



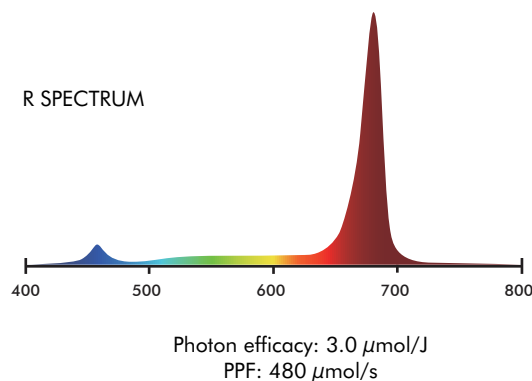
SPECTRUM BALANCING

FS SPECTRUM



A perfect companion for HPS and DE-HPS top lighting, our FS spectrum introduces additional yellow and green wavelengths, boosting photosynthesis, plant health, terpene profiles, as well as the development of lower flowers.

R SPECTRUM



Engineered for synergy with full-spectrum LED top lights, the R spectrum is rich in red for maximum under canopy photosynthetic efficiency, helping to turbocharge under canopy development.

Daisy-Chain@:

120V - Up to 12 Lights | 240V - Up to 24 Lights | 277V - Up to 28 Lights



3FT (0.9m) Connection Cable
(sold separately)



6FT (1.82m) Extension w/ 0-10v Port
(sold separately)



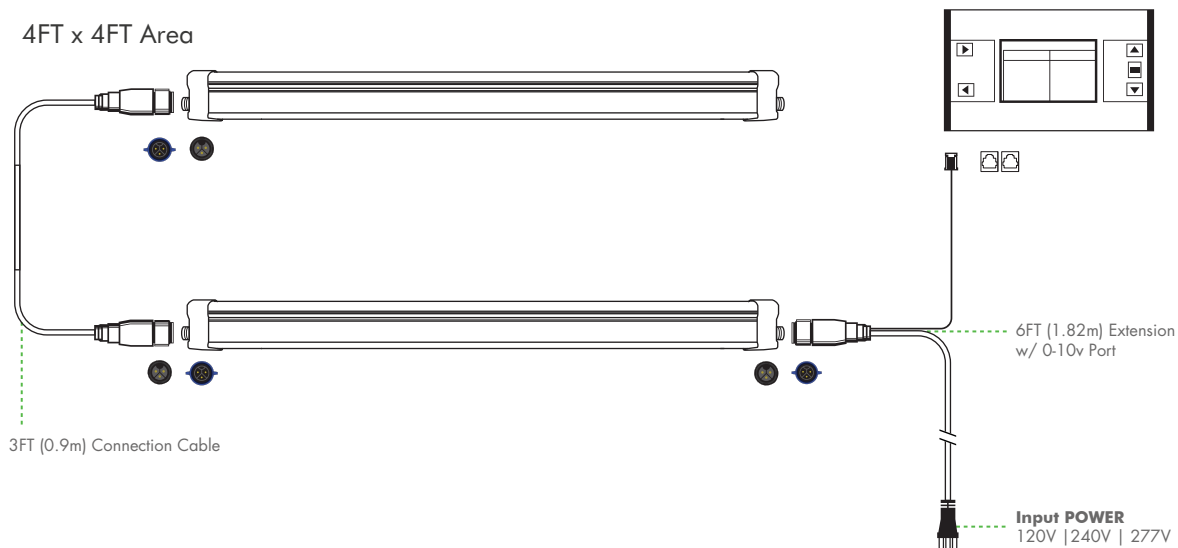
www.iluminarlighting.com | 1-877-540-5588 | sales@iluminarlighting.com

© Copyright 2024 ILUMINAR Lighting. Subject to change without notice.

POWER AND DATA

1 SINGLE JOINT CONNECTION

4FT x 4FT Area



2 SINGLE JOINT CONNECTION

4FT x 8FT Area

