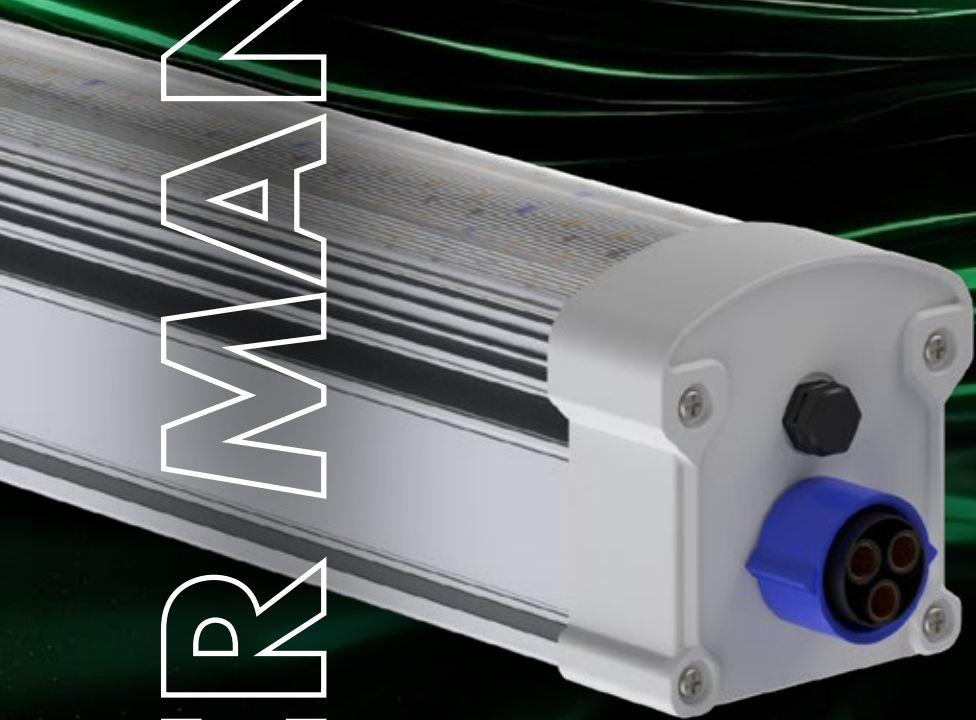




**UNDER  
CANOPY**

**USER MANUAL**



**Under Canopy**

**160W** UCL-160W-R | UCL-160W-FS



# Specialized Under Canopy Light for **Dense Flowering** Canopies

Stop leaving your crop's potential in the shade! Now you can transform the untapped potential beneath your canopy into tangible results with Iluminar's superior subcanopy lighting technology. The Under Canopy Light is our purpose-built, super-efficient under canopy lighting solution, specifically targeting lower leaves and buds to boost plant health, harvestable biomass, and crop quality.

## Key Features of the ILUMINAR Under Canopy Light:

### — > Targeted Illumination:

Specifically engineered to enhance lower plant growth, the Under Canopy Light ensures that every leaf receives its share of light, promoting uniform growth, minimizing VPD (Vapor Pressure Deficit) variation, and increasing overall yield.

### — > Energy Efficiency:

The Under Canopy Light has been engineered for maximum energy efficiency, reducing your carbon footprint while optimizing plant health. It precisely delivers light to exactly where it's needed while 0-10V dimming gives growers fine-tuned light intensity control.

### — > Two Spectral Options:

Choose from two spectral options. The full-spectrum output (MR spectrum, 2.8  $\mu\text{mol/J}$ ) superbly complements HPS top lighting, while the red-dominant spectral choice (HR spectrum, 3.0  $\mu\text{mol/J}$ ) is tailored for growers with full-spectrum LED top lighting.

### — > Durability Meets Design:

Housed in a robust yet sleek frame, this lighting solution withstands the rigors of daily use, blending seamlessly into your existing setup. Rated IP65 to withstand humidity and water ingress from misters and irrigation.

# Why Choose ILUMINAR's Under Canopy Light?

## Higher Yields, Lower Labor Overheads:

Illuminate lower flowers and foliage to boost photosynthesis, improve B-bud quality, and reduce the need for time-consuming under canopy defoliation.

## Healthier Plants:

Lower foliage and flowers receive crucial additional light without overheating or stressing your plants, thanks to 0-10V dimming and high-efficiency diodes.

## Maximize Efficiency:

Achieve unmatched performance with our energy-efficient design, maximizing efficiency to the fullest.







# UNDER CANOPY

**MODEL** IL-UNDCPY-160**WATTS** 160W**VOLTAGE** 120-277V**SKU** UCL-160W-R  
UCL-160W-FS

## TECHNICAL SPECS

Efficacy	3.05 $\mu\text{mol}/\text{J}$
PPF	467 $\mu\text{mol}/\text{s}$
Input Power	160W
Input Voltage	120-277V AC
Input Current	0.58-1.33A
Frequency	50/60Hz
Thermal Management	Passive
Ambient Temperature	0-40°C / 32-104°F
Light Distribution	120°
Control	0-10 Dimming
Light Distribution	50,000 hrs

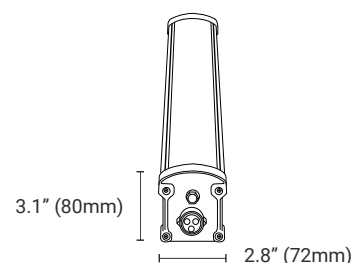
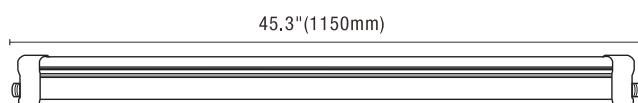
## PHYSICAL SPECIFICATIONS

Length	1150 mm	45.3"
Width	72 mm	2.8"
Height	80 mm	3.1"

## VOLTAGE & AMPERAGE

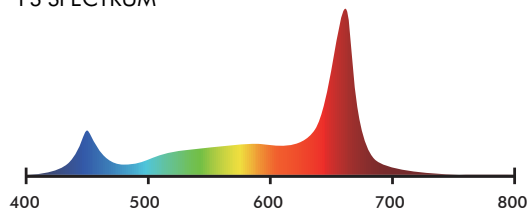
120V	1.33A
208V	0.77A
220V	0.73A
277V	0.58A

## MOUNTING & COVERAGE



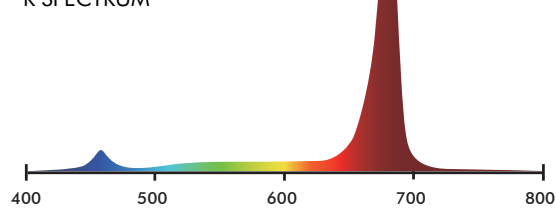
## SPECTRUM BALANCING

### FS SPECTRUM



A perfect companion for HPS and DE-HPS top lighting, our FS spectrum introduces additional yellow and green wavelengths, boosting photosynthesis, plant health, terpene profiles, as well as the development of lower flowers.

### R SPECTRUM



Engineered for synergy with full-spectrum LED top lights, the R spectrum is rich in red for maximum under canopy photosynthetic efficiency, helping to turbocharge under canopy development.

### Daisy-Chain@:

120V - Up to 12 Lights | 240V - Up to 24 Lights | 277V - Up to 28 Lights



3FT (0.9m) Connection Cable  
(sold separately)



6FT (1.82m) Extension w/ 0-10v Port  
(sold separately)



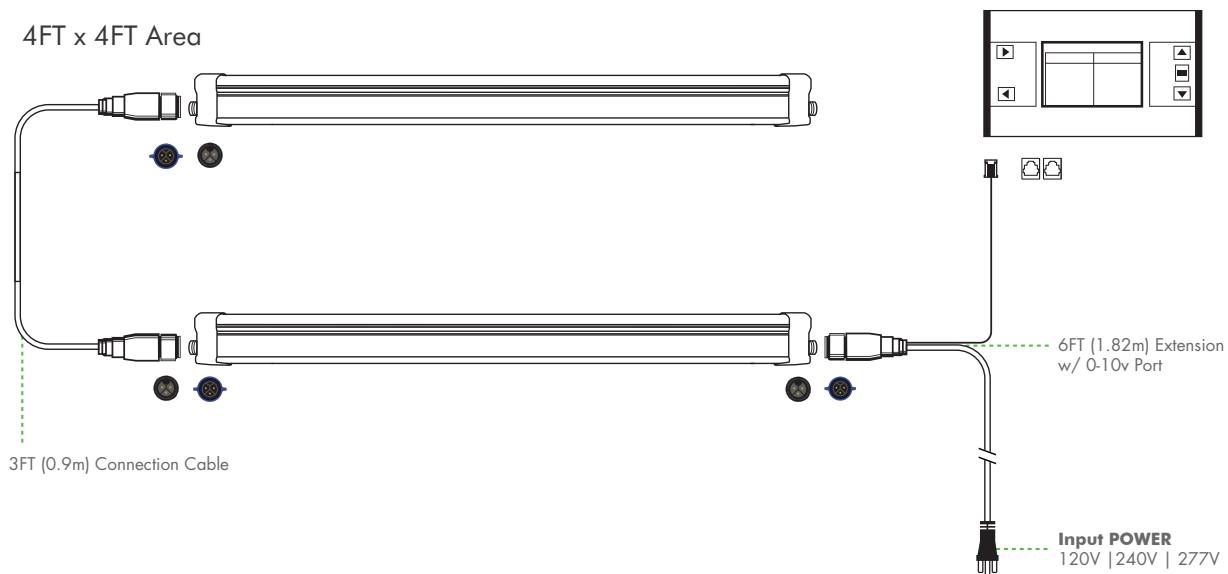
www.iluminarlighting.com 1-877-540-5588 sales@iluminarlighting.com

© Copyright 2024 ILUMINAR Lighting. Subject to change without notice.

## POWER AND DATA

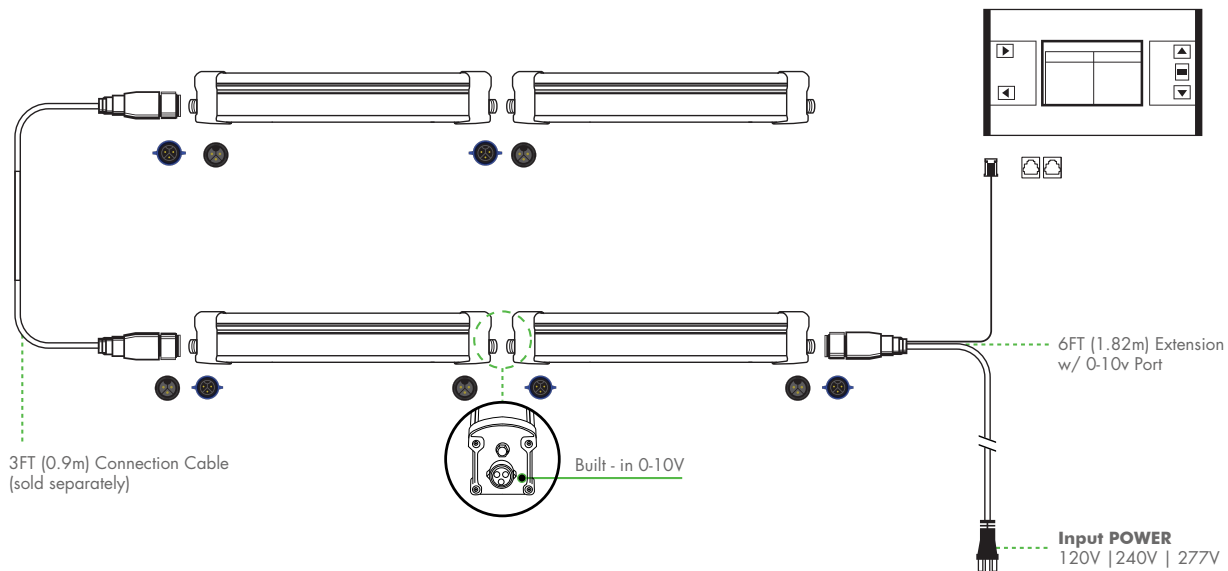
### 1 SINGLE JOINT CONNECTION

4FT x 4FT Area



### 2 SINGLE JOINT CONNECTION

4FT x 8FT Area





# BEFORE YOU BUY AN LED CHECK YOUR REBATE






**FIND OUT MORE**



**ILUMINARLIGHTING.COM**



 [www.iluminarlighting.com](http://www.iluminarlighting.com)  1-877-540-5588  [sales@iluminarlighting.com](mailto:sales@iluminarlighting.com)

© **Copyright 2024 ILUMINAR Lighting. Subject to change without notice.**